



DISCOVERY 3X DISCOVERY 5X DISCOVERY 8X

Night Vision Bi-Oculars



USER'S MANUAL

Important Export Restrictions! Commodities, products, technologies and services of this manual are controlled by the U.S. Department of State Office of Defense Trade Controls, in accordance with International Traffic in Arms (ITAR), Title 22, Code of Federal Regulations Part 120-130 and/or by the Export Administration Regulations (EAR) of U.S. Department of Commerce. At any time when a license or a written approval of the U.S. Government is applicable to it, it is illegal and strictly forbidden to export, intend to export, transfer in any other manner whatsoever, sell any hardware or technical data, provide any associated service to any non-U.S. resident, beyond or within the United States territory, until the valid license or written approval has been issued by the Departments of the U.S. Government having jurisdiction. Additionally U.S. law prohibits the sale, transfer, or export of items to certain restricted parties, destinations, and embargoed countries, as identified on lists maintained by the U.S. Department of State, the U.S. Department of Commerce, and the U.S. Department of Treasury. It is the responsibility of the Customer to be aware of these lists. The sale, transfer, transportation, or shipment outside of the U.S. of any product prohibited or restricted for export without complying with U.S. export control laws and regulations, including proper export licensing, documentation or authorization, is unlawful and may result in civil and/or criminal penalties and/or constitute a federal crime. Diversion contrary to U.S. law is strictly prohibited.



PARTS OF THE BI-OCULAR



DISCOVERY 8



DISCOVERY 3

DISCOVERY 5

WARNING:

This product contains natural rubber latex, which may cause allergic reactions! The FDA has noted an increase in the number of reported deaths that are associated with an apparent sensitivity to natural latex proteins. If you are allergic to latex, it is a good idea to learn which products contain it and strictly avoid exposure to those products.

The information provided in this manual is for familiarization purposes only. The contents may undergo further changes with no commitment by Armasight® to notify customers of any updates.

Armasight® assumes no responsibility for any misprints or other errors that this manual may contain.

©2015 by Armasight. All rights reserved.

1. DESCRIPTION AND DATA

DESCRIPTION

The Armasight Discovery is a hand-held night vision device that is ideal for use by both professionals and amateurs. The unit can be equipped with a long-range infrared illuminator that will provide you with a clear image of the surrounding terrain, even in complete darkness.

FEATURES

- High quality image intensifier tube
- 3x, 5x or 8x magnification
- Super fast, multi-coated, all-glass optics
- Dual-eye viewing system for comfortable nighttime operation, even during long sessions
- Removable, long-range IR illuminator
- Rugged, lightweight and versatile design
- Water and fog-resistant
- Tripod mount
- Hand and neck straps for convenient use
- Limited two-year warranty

Automatic Brightness Control System

The unit is fitted with an Automatic Brightness Control System. The Automatic Brightness Control System maintains the IIT screen's brightness level, even when faced with inconsistent light conditions.

Bright light cut-off system

The Discovery bi-ocular is designed to operate under only limited amounts of bright light when the front lens cap is removed. A Bright light cut-off system protects the image intensifier tube (IIT) from damage, and prevents the reduction of photocathode sensitivity when the device is turned on in excessively lit environments.

The protective system uses a light sensor to analyze the illuminance level of the surrounding environment. In the event that the maximum light level is exceeded for more than 10 seconds, the image intensifier will automatically shut off. As soon as the illuminance drops to an acceptable level, the IIT will turn back on.

NOTE:

Do not point the bi-ocular at bright light sources. Neither the Bright Light Cut-off System nor the Automatic Brightness Control System will protect the IIT photocathode from damage if the unit is exposed to bright light sources, such as fire, car headlights, lanterns, etc.

Automatic Shut-off System

Automatic shut-off system automatically turns off the device when it is unused (controls are not touched) for 60 minutes. The automatic shut-off function preserves battery life should the device be inadvertently activated.

NOTE:

If the automatic shut-off system automatically turns off the device when it is used you need turn the device on again by pushing the operating button.

Low Battery Indicator

A red light will flash in the field of view to alert you that the Discovery's battery needs to be replaced.

STANDARD COMPONENTS AND OPTIONAL EQUIPMENT

1) Armasight Discovery Bi-ocular

Night vision bi-ocular with 3x, 5x or 8x magnification.

2) Objective Lens Cap

The objective lens cap is designed to protect the objective lens from physical damage, as well as allow for the testing of the device's operation in daylight.

3) Eye Cups

The rubber eye cups are designed to protect the eyepieces and to provide comfort of use for the user.

4) Light Sensor Cap

Putting the cap on the light sensor disables the sensor and gives the user the option of operating or testing the unit under brighter light conditions. As a protective measure, normal positioning should leave the sensor exposed and operational.

5) Hand Strap

The hand strap helps the user hold the Discovery safely, without having to grip the unit tightly. This allows for a more comfortable and secure session of operation for the user.

6) CR123A Lithium Battery

One 3V CR123A lithium battery is used to supply power to the unit.

7) XLR-IR850 Detachable X-Long Range Infrared Illuminator w/Dovetail to Weaver Transfer Piece #21, Rechargeable Battery, and Charger

A detachable LED extra long-range infrared illuminator with a wide, adjustable beam angle (4 to 35 degrees). Should be used when there is little to no ambient light. Comes fully assembled with a dedicated mount in order to be installed on a Picatinny/Weaver rail. Dovetail to Weaver Transfer Piece #21 and Riser for XLR-IR are included. The XLR-IR850 comes standard equipped with a 18650 rechargeable battery and charger unit.

8) Neck Strap

The neck strap allows you to hang the Discovery comfortably around your neck during breaks in observation sessions.

9) User Manual

The user manual contains a full description of the device and its accessories, information about controls, installation, maintenance and troubleshooting procedures.

10) Carrying Case

The carrying case is used to store and carry the Discovery bi-ocular and its accessories.

11) Optional IR850W Detachable Wide Angle Adjustable X-Long Range Infrared Illuminator (Part# IAIR850IR000002)

A detachable LED extra long-range infrared illuminator with wide-angle adjustable beam (2 to 30 degrees).

12) Optional XLR-IR Afocal Doubler (Part# ANAF18XXLR)

Doubles the distance of XLR-IR850 IR Illuminator beam. Comes complete with an thread adapter #174.

13) Optional Camera Adapter #47 (Part# ANAM000016)

An adapter with step down ring that allows the Discovery to be attached to any 35 mm SLR camera or 8 mm camcorder.

14) Optional Hard Shipping/Storage Case (Part# ANHC000001)

A protective case used for the shipping/ storage of the Discovery and its accessories.

SPECIFICATIONS *

MODEL	DISCOVERY 3	DISCOVERY 5	DISCOVERY 8
Generation		Gen 2+ or Gen 3	
Magnification	3x	5x	8x
Lens system	F1:1.65, 80 mm	F1:1.5, 108 mm	F1:2.0, 160 mm
Field of view (°)	12.5	9.5	6.5
Focus range (m)	5 to infinity	10 to infinity	15 to infinity
Diopter adjustment (dpt)		+5 / -5	
Eye Relief (mm)		17	
Exit Pupil (mm)		14	
Power supply		One CR123A Lithium 3V **	
Battery life (hours)		up to 60	
Infrared Illuminator		Detachable Long-Range Illuminator	
Environmental Rating		Water and fog resistance	
Operating temperature (°C)		-51 to +49	
Weight (kg/lbs)	1.0 / 2.2	1.3 / 2.8	1.5 / 3.3
Dimensions (mm/in)	265 x 140 x 63 / 10.4 x 5.5 x 2.5	305 x 140 x 86 / 12 x 5.5 x 3.4	350 x 140 x 100 / 13.8x5.5x3.9

* *Armasight reserves the right to modify these specifications at any time without notice.*

** *Any CR123 type rechargeable batteries with voltage 3.0V can be used.*

XLR-IR850 ILLUMINATOR DATA

ITEM	DATA
IR Emitter Type	LED
Power	1000 mW
Peak Wavelength	850 nm
Illumination Range	up to 1000 m
Divergence	4 to 35°
Battery	Single 18650 Rechargeable Battery (3.7V) *
Battery Life at 20 °C (68 °F)	up to 10 (1/4 Power); 8 (1/2 Power); 6 (3/4 Power); 2.5 (Full Power)
Overall Dimensions (with Mount)	150×48×57 mm (5.9"×1.9"×2.2")
Weight (with Mount, w/o Battery)	264 g (9.3 oz)
Operating Temperature	-20 to +50°C (-4 to 122°F)
Storage Temperature	-50 to +70°C (-58 to 158°F)
Environmental Rating	Water Resistant

* 18650 rechargeable battery and charger are included

2. PREPARATIONS FOR OPERATION



WARNING:

The Discovery night vision bi-ocular is designed for several years of reliable service. To ensure trouble-free performance please observe the following instructions:

- Do not activate the device in daylight unless the protective lens cover is fitted securely over the objective lens. If the device is ON, do not direct the device at bright light sources, such as car headlights, camp fires, street lights, etc., as this will cause damage to the device.
- Do not check the device's operation in daylight unless the front lens caps are fitted securely over the lens, and even then, the device should only be ON for the few seconds it takes to establish correct operation.
- Do not open the body of the device or otherwise disassemble it.
- Avoid dropping or otherwise impacting the device.
- Do not expose the device to moisture or extreme temperatures.
- Do not touch the lens. Clean optical parts with a clean, soft cloth, and only use professional lens cleaners designed for use with optics.
- Do not forget to remove the battery from the battery compartment if the device is to be stored for more than 3 days.
- Do not forget to turn the device OFF during periods of non-operation.

Consider the following information and restrictions in order to avoid damaging the device and to ensure a long service life and failure-free operation:

- Performance of the device in nighttime conditions depends on the level of ambient light in the environment. Some light (moonlight, starlight, etc.) is required for the device to display an image.
- The level of ambient light is reduced by the presence of clouds, shade, or objects that block natural light (buildings, trees, etc.).
- The device loses its effectiveness when operated in shadowed areas.
- The effectiveness of the device is adversely affected by weather conditions such as rain, snow, sleet, and fog, as well as environmental conditions such as smoke or dust.
- The device resolution level is reduced in environments with very low light sources. Visibility will degrade significantly under starlight conditions, particularly in low contrast environments such as deserts, large areas of uniform vegetation, etc.
- The device is equipped with a protection system that will automatically disable the image intensifier tube when the illuminance level stays above 40 lux for more than 10 seconds.

BATTERY INSTALLATION

- 1) Unscrew the battery compartment cap on the bottom side of the bi-ocular.
- 2) Insert the CR123A battery into the battery compartment in accordance with polarity markings.
- 3) Screw the cap into place.

NECK STRAP ATTACHING

Attach the neck strap to your Discovery as shown in the figure to the right.

- 1) Thread the end of the neck strap through the strap mount eyelet located on the bottom of the unit.
- 2) Thread the strap's end through the strap's buckle.
- 3) Tighten the strap as desired, and verify that it will unlock itself when the unit is being operated.

TRIPOD INSTALLATION

The Discovery can be connected to a tripod. To mount the tripod with the Discovery device, screw the tripod into the 1/4" threaded socket located on the Discovery's bottom rail.

NOTE:

The unit may be badly damaged if the tripod collapses or falls over. Remove the unit from the tripod if it is not within your reach.



3. OPERATION INSTRUCTIONS

CONTROLS

The Discovery is designed to meet the needs and requirements of various users. Each user can individually set the unit to the most effective and desirable position with the help of the controls. The Discovery unit's controls and indicators are shown and detailed further, below:

ON/OFF Button. This controls the power supply to the unit. Use this button to turn the unit on and off.

Objective Lens Focus. This control focuses the objective lens. Adjust the objective lens for the clearest, sharpest image. This will need to be done whenever you change your positional distance from the scene you're observing.

Diopter Adjustment. This control focuses the eyepieces. Use it to get the clearest image possible on the IIT screen.

Light Sensor of Bright Light Cut-off System. This automatic feature analyzes the illuminance level of the terrain using a light sensor.

Indicator in FOV. A red indicator light will flash in the field of view to let you know when the battery is low.

FOCUSING

To focus your Discovery bi-ocular, perform the following steps:

Adjust the eye pieces (diopters). Turn the diopter adjustment rings clockwise until they stop. While looking through the eyepieces, observe the scene, and slowly begin turning the diopter adjustment rings counter-clockwise until the image becomes clear and sharp.

TESTING PROCEDURES

CAUTION:

Do not test the device in daylight conditions for more than 10 minutes, even with the protective lens cap on.

To check device operation in daylight or in an illuminated room, follow these steps:

- 1) Verify that the battery is inserted into the battery compartment in accordance with polarity markings on the bi-ocular's body.
- 2) Verify that the objective lens is securely closed.
- 3) Without removing the protective lens cap, activate the unit by pushing the Power button. While looking through the eyepieces of your unit, observe the scene. Verify that the green light indicating correct IIT operation is illuminated.
- 4) Adjust the eyepiece diopter rings until the image becomes clear and sharp.
- 5) Turn the unit off by pushing the ON/OFF button. The green glow will disappear from the eyepieces.
- 6) Secure the objective lens cap over the objective lens.

OPERATION IN NIGHTTIME CONDITIONS

CAUTION:

Avoid exposing the bi-ocular to bright light sources. Bright light emitted by fires, automobile headlights, lanterns, projectors, etc. will damage your Discovery.

- 1) Visually estimate the illuminance level in the viewing area. Operation of the device with the objective lens cap removed is safe when the illuminance level is less than 1 lux; at an illuminance level of 1 lux, you will barely be able to read a newspaper, even after your eyes have adapted to the low light conditions.
- 2) Verify that the battery is inserted into the battery compartment in accordance with the polarity markings on the monocular's body.
- 3) Remove the light sensor cap.
- 4) Activate the unit by pushing the Power button. A green light indicating correct IIT operation will appear after a momentary delay.
- 5) Observe the scene and focus your Discovery.
- 6) Turn the unit OFF when you are finished using it. The green glow will disappear from the eyepieces.
- 7) Secure the objective lens cap over the objective lens.

OPERATION IN CHANGING LIGHT CONDITIONS

The unit is fitted with a bright light cut-off system. This protective system analyzes the illuminance level of the terrain using a light sensor. In the event that the light level exceeds 40 lux for more than 10 seconds, the image intensifier will be automatically shut off. If it becomes necessary to switch the bi-ocular on under changing light conditions, you can deactivate this cut-off system by placing the protective cap over the light sensor.



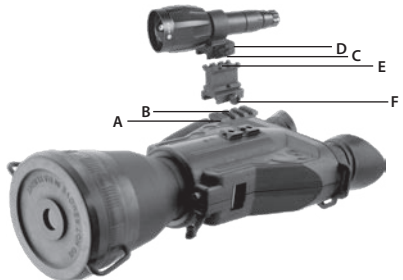
4. IR ILLUMINATOR

MOUNTING AN DETACHABLE IR ILLUMINATOR

Armasight long range IR illuminators are delivered with a dedicated mount, to be installed on the Picatinny/Weaver rail.

To mount an IR illuminator on the Discovery, use the Dove-tail to Weaver Transfer Piece and Riser. Perform the following steps:

1. Install the transfer piece (A) onto one of the Discovery rails.
2. Tighten the fixing screw (B) on the transfer piece.
3. With the nut (C) loosened, install the mount (D) on the rail of riser (E) so that the recoil stop slides into one of the transverse slots of the rail.
4. Tighten the nut (C).
5. With the nut of riser (F) loosened, install the illuminator on the Weaver rail so that the recoil stop of riser slides into one of the transverse slots of the rail.
6. Tighten the nut of riser (F).



Install the battery as follows:

CAUTION:

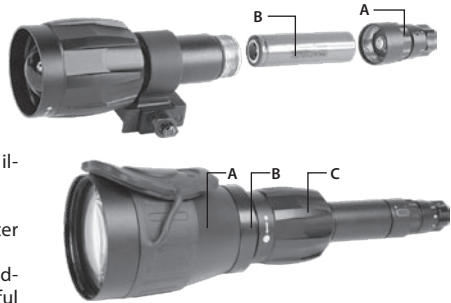
Ensure that the IR Illuminator is off before installing the battery.

1. Unscrew the battery cap (A).
2. Install the fully charged 18650 rechargeable battery (B) into the battery compartment. Align the polarity symbols on the battery with those on the cap face.
3. Replace the battery cap (A).

The XLR-IR850 can be used as hand-held long-range IR illuminator with optional Afocal Doubler.

Attach the magnifying lens to the XLR-IR850 as follows:

1. Screw the Afocal Doubler (A) into the threading adapter (B).
2. Screw the Afocal Doubler with adapter into the threading of the XLR-IR850 objective lens (C) housing. Be careful not to over-tighten the lens.



NOTE:

The caution notice DO NOT REMOVE IN DAYLIGHT on the front lens cap of this universal magnifying lens is not applicable when using it on the XLR-IR850.

OPERATING THE XLR-IR850 IR ILLUMINATOR

Use the XLR-IR850 illuminator for long-distance observation when there is little to no ambient light.

CAUTION:

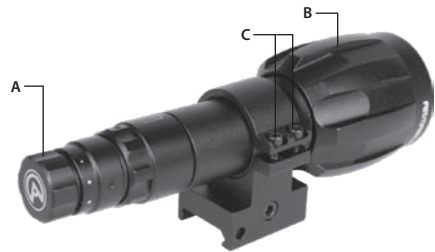
The IR illuminator infrared light will be invisible to the naked eye. The light can, however, be detected by other night vision devices.

CAUTION:

DO NOT leave the IR illuminator activated in the ON position if it is not being used.

Operate the IR illuminator as follows:

1. Turn on the IR illuminator by rotating the power switch (A) from OFF position.
2. To change the power level, turn the power switch to one of the spots between the two OFF positions.
3. To adjust IR beam divergence, turn the objective lens of IR illuminator (B).
4. To adjust the IR spot position in the field of view, loosen the two clamp screws (C) and tilt the IR illuminator as required in the spherical clamp hinge. Tighten the screws using a 2.5 mm hex key.



5. MAINTENANCE PROCEDURES

The Discovery should always be stored in the supplied packaging, particularly in heated and ventilated rooms. To keep the device operational, please follow the instructions listed below regarding the preparations for storage. The battery should be stored separately from the unit and be inserted into the battery compartment only when the device is being prepared for use. The presence of both acids and alkalis near the bi-ocular is not recommended.

When stored, your Discovery should be protected from exposure to direct sunlight or extreme temperatures.

BI-OCULAR CLEANING PROCEDURES

When preparing your Discovery for storage, perform the following steps:

- 1) Gently remove any dirt from the bi-ocular's body using a clean, soft cloth.
- 2) Wipe the external surfaces down (with the exception of optical surfaces) using a cloth moistened with pure water.
- 3) Dry all wet surfaces with a different clean, dry cloth.
- 4) Using a lens brush, carefully remove all dirt from the optical surfaces.
- 5) To avoid scratches, optical surfaces must be cleaned using a clean cotton swab that has been slightly dampened with pure alcohol. The glass should be wiped in circular motions starting from the center and moving out towards the edge, without touching the barrel. Change the cotton swab as soon as it becomes dirty.

PREPARATION FOR STORAGE

When preparing your Discovery for storage, perform the following steps:

- 1) Verify that the bi-ocular is operating in accordance with all previously specified procedures.
- 2) Remove the battery from the battery compartment.
- 3) Clean and dry the bi-ocular and all accessories.
- 4) Place all components into the storage case.

6. TROUBLESHOOTING

Common problems that may occur with your bi-ocular or the detection and viewing tests, as well as actions you can take to correct them, are listed in the Troubleshooting Table (see page 10). This table does not list all of the malfunctions that may occur with your device. If you experience a malfunction of the device that is not listed in this table, please contact Armasight or your Discovery retailer.

NOTE:

Before you use this table, be sure you have performed all normal operational safety, care and handling checks and procedures. If you have a malfunction that is not listed in this table, notify the next highest level of maintenance.

TROUBLESHOOTING GUIDE

PROBLEM	POSSIBLE CAUSE	ACTION
The bi-ocular does not turn on	Press the ON/OFF button.	Press the ON/OFF button repeatedly.
	Inspect for a missing, defective or improperly installed battery.	Replace the battery or install it properly
<i>If these actions fail, turn in the device for unit level maintenance.</i>		
Poor image quality	Verify that the objective lens and eyepieces are focused.	Focus the lens and/or eyepieces.
	Check if the lens is greasy, fogged or dirty.	Thoroughly clean the surface of the lens.
<i>If the problem persists, contact your service center.</i>		
Light is visible through the eyecups	Check the exit pupil distance value.	Press the eyecups to your face.
	Check the resilience of the eyepieces.	If the eyecups are defective, contact your service center.
Diopter adjustment cannot be performed	Check to see if the diopter adjustment rings are deformed or broken.	If the diopter adjustment rings are damaged, contact your service center.
IR illuminator does not switch on	Turn the IR illuminator on in dark area with the bi-ocular on. Visually estimate if the observed scene is lighted.	If the IR illuminator does not turn on, contact your service center.

ARMASIGHT PRODUCT WARRANTY REGISTRATION CARD**PRODUCT INFORMATION**

Product Name _____ Purchased From _____

Purchase Date _____ Product Serial # _____

CUSTOMER INFORMATION

Name _____

Address _____

City _____ Country _____ Zip _____

Day Phone # _____ Home Phone # _____

E-mail address _____

.....
Customer Signature Required

7. WARRANTY INFORMATION

This product is guaranteed to be free from manufacturing defects in material and workmanship under normal use for a period of two (2) years from the date of purchase. In the event that a defect covered by the below warranty occurs during the applicable period stated above, Armasight, at its discretion, will either repair or replace the product; such action on the part of Armasight shall be the full extent of Armasight's liability, and the Customer's sole and exclusive repair. This warranty does not cover a product if it has (a) been used in ways other than its normal and customary manner; (b) subjected to misuse; (c) subjected to alterations, modifications or repairs by the Customer or by any party other than Armasight without prior written consent of Armasight; (d) special order or "close-out" merchandise or merchandise sold "as-is" by either Armasight or the Armasight dealer; or (e) merchandise that has been discontinued by the manufacturer and either parts or replacement units are not available due to reasons beyond the control of Armasight. Armasight shall not be responsible for any defects or damage that in Armasight's view are a result from the mishandling, abuse, misuse, improper storage or improper operation of the device, including use in conjunction with equipment that is electrically or mechanically incompatible with, or of inferior quality to, the product, as well as failure to maintain the environmental conditions specified by the manufacturer. CUSTOMER IS HEREBY NOTIFIED THAT OPERATION OF THE EQUIPMENT DURING DAYLIGHT HOURS OR UNDER ANY EXCESSIVE LIGHT CONDITIONS MAY PERMANENTLY DAMAGE THE INTERNAL COMPONENTS OF THE UNIT AND SAID DAMAGE WILL NOT BE COVERED UNDER THIS WARRANTY. This warranty is extended only to the original purchaser. Any breach of this warranty shall be enforced unless the Customer notifies Armasight at the address noted below within the applicable warranty period.

The Customer understands and agrees that except for the foregoing warranty, no other warranties written or oral, statutory, expressed or implied, including any implied warranty of merchantability or fitness for a particular purpose, shall apply to the product. All such implied warranties are hereby and expressly disclaimed.

LIMITATION OF LIABILITY

Armasight will not be liable for any claims, actions, suits, proceedings, costs, expenses, damages or liabilities arising out of the use of this product. Operation and use of the product are the sole responsibility of the Customer. Armasight's sole undertaking is limited to providing the products and services outlined herein in accordance with the terms and conditions of this Agreement. The provision of products sold and services performed by Armasight to the Customer shall not be interpreted, construed, or regarded, either expressly or implied, as being for the benefit of or creating any obligation toward any third party of legal entity outside Armasight and the Customer; Armasight's obligations under this Agreement extend solely to the Customer. Armasight's liability hereunder for damages, regardless of the form or action, shall not exceed the fees or other charges paid to Armasight by the Customer or customer's dealer. Armasight shall not, in any event, be liable for special, indirect, incidental, or consequential damages, including, but not limited to, lost income, lost revenue, or lost profit, whether such damages were foreseeable or not at the time of purchase, and whether or not such damages arise out of a breach of warranty, a breach of agreement, negligence, strict liability or any other theory of liability.

PRODUCT WARRANTY REGISTRATION

In order to validate the warranty on your product, Armasight must receive a completed Product Warranty Registration Card for each unit, or the Customer can complete a warranty registration on our website, at www.armsight.com. Please complete the included form and immediately mail it to our Service Center:

Armasight Inc.
815 Dubuque Avenue
South San Francisco
CA 94080
United States of America.

OBTAINING WARRANTY SERVICE

To obtain warranty service on your unit, the End-user (Customer) must notify the Armasight service department via email. Send any requests to service@armsight.com to receive a Return Merchandise Authorization number (RMA). When returning any device, please take in the product to your retailer, or send the product, postage paid and with a copy of your sales receipt, to Armasight Corporation's service center at the address listed above. All merchandise must be fully insured with the correct postage; Armasight will not be responsible for improper postage or merchandise that becomes lost or damaged during shipment. When sending product back, please clearly write the RMA# on the outside of the shipping box. Please include a letter that indicates your RMA#, the Customer's Name, a Return Address, reason for the return, Contact information (valid telephone numbers and/or an e-mail address), and proof of purchase that will help us to establish the valid start date of the warranty. Product merchandise returns that do not have an RMA# listed may be refused, or a significant delay in processing may occur. Estimated Warranty service time is 10-20 business days. The End-user/ Customer is responsible for postage to Armasight for warranty service. Armasight will cover return postage/ shipping after warranty repair to the End-user/ Customer only if the product is covered by the aforementioned warranty. Armasight will return the product after warranty service by domestic UPS Ground service and/ or domestic mail. Should any other requested, required or international shipping methods be necessary, the postage/ shipping fee will be the responsibility of the End-user/ Customer.



Armasight Inc.

815 Dubuque Avenue
South San Francisco
CA 94080, USA

Phone: (888)959-2259

Fax: (888)959-2260

Intl Phone/Fax: (650)492-7755

info@armasight.com



WARNING:

This product contains natural rubber latex which may cause allergic reactions! FDA has noted an increase in the number of deaths reported to the agency that are associated with an apparent sensitivity to natural latex proteins. If you are allergic to latex, it is a good idea to learn which products contain it and strictly avoid exposure.

www.armasight.com